

Fact Sheet

GLM-B maxx 120

BIZERBA

*GLM-B maxx 120 ... simply a better experience with every label.
The automatic Bizerba weigh price labeler GLM-B maxx 120 makes things easy for you: It can be easily integrated into conveyor systems and data systems and thus ensures correct labeling from the case to the pallet. And with the Intel® Atom™ it fulfils both current and future requirements.*



More information
High performance
with a wide range of
solutions and options.

Specifications	Facts	Details
Printing technology	Printing process Resolution Print width Print speed Label output	Thermal direct (optional thermal transfer) 8 dot/mm (optional 12 dot/mm) 80 mm (optional 104) max. 250 mm/s 120 mm
Printer	Label size Label roll Thermal transfer ribbon	min. 30 mm (W) x 30 mm (L) max. 100 mm (W) x 150 mm (L) Core 40 mm opt. 76 mm, outside max. 300 mm Core diameter 25.4 mm Outer diameter 81 mm
	All standard barcodes	EAN/UPC 8, EAN/UPC 13, EAN/UPC 128, Code 2/5 int. Code 39, Code 128, GS1-128, PDF417, PDF 417 with AI, GS1 DataBar Omni, GS1 DataBar, Data Matrix, QR- Code
supply voltage	230 V / 50-60 Hz, 110 V / 60 Hz	
Interfaces	Ethernet TCP/IP (optional RS 232m RS 422, TTY)	
Operating temperature	0 °C to +40 °C	Standby to -10 °C
Humidity	20 - 90%, non-condensing	
Protection type	IP 20	
Memory	2 GB	Compact Flash card
Operating panel	Operation via keyboard 7" color display	Optional GT-12E or GT-12C 12" LCD display with touch screen function
Options	Facts	Details
Thermal transfer device		Printing is done via thermal transfer ribbon

Infographic



Symbols



Unicode

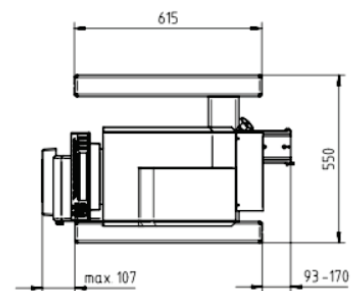
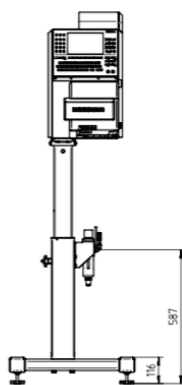
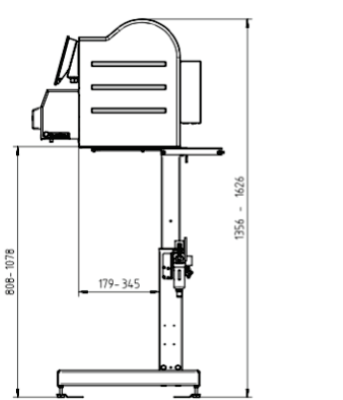


without tools

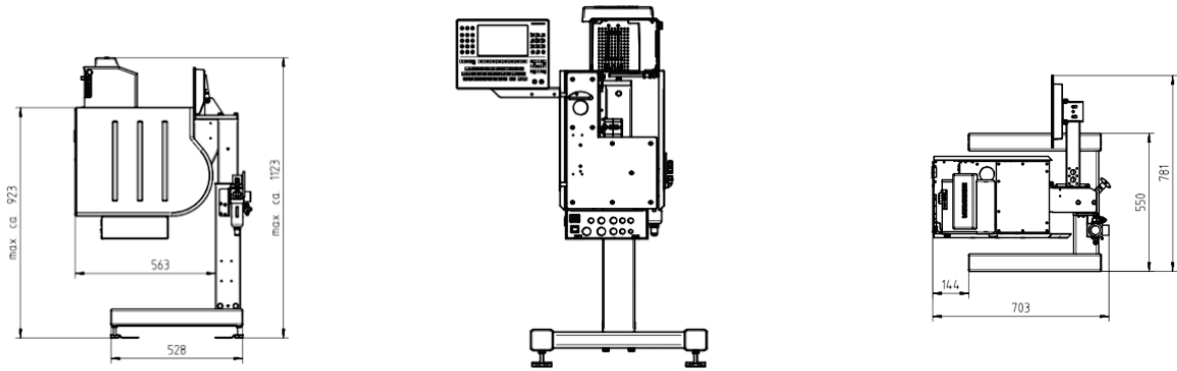


IP 20

Dimensions



GLM-B maxx version with a stand



GLM-B 120S

Bizerba GmbH & Co. KG

Wilhelm-Kraut-Straße 65
72336 Balingen
Germany
T +49 7433 12-0
F +49 7433 12-2696
marketing@bizerba.com

www.bizerba.com