

# Fact Sheet

## CWFmaxx 1500

# BIZERBA

*Our solution for food processing companies ... dynamic checkweigher CWFmaxx was specially designed for this industry. Thanks to its sophisticated design it impresses in terms of hygiene and easy cleaning.*



More information  
High performance  
with a wide range of  
solutions and options.

Specifications	Facts	Details																
<b>Weighing data</b>	Weighing range: 1000 - 1500 g Division value d: 0.1 - 0,5 g Verification scale interval e: 0.2 - 1 g Minimum load: 10 g - 150 g	<table border="0"> <tr> <td>600   1000 g</td> <td>600   1500 g</td> <td>1500 g</td> <td>1500 g</td> </tr> <tr> <td>0.2 g   0.5 g</td> <td>0.2 g   0,5 g</td> <td>0.5 g</td> <td>0.1 g</td> </tr> <tr> <td>0.2 g   0.5 g</td> <td>0.2 g   0,5 g</td> <td>0.5 g</td> <td>1 g</td> </tr> <tr> <td>10 g</td> <td>20 g</td> <td>50 g</td> <td>150 g</td> </tr> </table>	600   1000 g	600   1500 g	1500 g	1500 g	0.2 g   0.5 g	0.2 g   0,5 g	0.5 g	0.1 g	0.2 g   0.5 g	0.2 g   0,5 g	0.5 g	1 g	10 g	20 g	50 g	150 g
600   1000 g	600   1500 g	1500 g	1500 g															
0.2 g   0.5 g	0.2 g   0,5 g	0.5 g	0.1 g															
0.2 g   0.5 g	0.2 g   0,5 g	0.5 g	1 g															
10 g	20 g	50 g	150 g															
<b>Performance</b>	max. throughput: 219 - 400 packages per min. max. belt speed: 70 - 170 m/min min. belt speed: 5 m/min	depends on the length of the weighing conveyors depends on the length of the weighing conveyors																
<b>Device design / material</b>	Stainless steel	1.4301																
<b>Display / control panel</b>	12.1" SVGA color touch screen																	
<b>Interfaces</b>	USB, EDP 1, 8 inputs, 8 outputs, Ethernet	EDP 1 (RS 232 or RS 422 or TTY)																
<b>Protection class</b>	Conveying conveyor Switching cabinet Display unit	IP65 IP65 IP65																
<b>Conveying</b>	Conveying direction Conveying height	right to left   left to right 750 - 1150 mm																
<b>Conveyors</b>	Conveyor width: 100 - 225 mm Conveyor lengths: Weighing conveyor length: 150 - 750 mm Infeed conveyor length: 150 - 750 mm Ejecting conveyor length: 150 - 1250 mm  Belt colors: white and blue Roller diameter: 22 mm Conveyor frame and quick belt release system	100, 150, 225 mm lengths always in wheelbase: 150, 200, 250, 325, 400, 500, 600, 750 mm 150, 200, 250, 325, 400, 500, 600, 750 mm 150, 200, 250, 325, 400, 500, 600, 750, 1000, 1250 mm  white as standard and blue as an option available Aluminum rollers, hard coated surface																
<b>Environmental conditions</b>	Operating temperature Humidity	+0 °C to +40 °C 20 - 90% non-condensing																
<b>Energy supply</b>	Supply voltage Power consumption Pcompressed-air supply	100-240 V; 50/60 Hz 500-750 VA 6 bar																
<b>Software licenses</b>	STATISTICS WEIGHT_CLASSES	to generate statistics to classify more than three products																
<b>Software versions</b>	Software Codepage Software UNICODE	data communication (texts & strings) data communication (texts & strings) in UTF-8 code																
<b>More features</b>	Article memory Weight classes Remote maintenance, web interface Sending of status e-mails	100000 80																

Options	Facts	Details
<b>Metrological approved according to OIML R 87</b>	Control of prepackaged products, type approval only for weighing conveyor length from 150 mm to 400 mm	The checkweigher are metrological approved according to the accuracy class XIII (1) and suitable for German prepack regulations.
<b>Metal detector</b>	Integrated metal detector  Metal detector conveyor length	Operation of the metal detector is done from the display of the checkweigher. 750 mm
<b>Control panel</b>	7" color display with membrane keyboard	WVGA (800x480)
<b>Separation conveyor</b>	150   200   250   325   400   500   600   750 mm	lengths always in wheelbase
<b>Ejecting systems</b>	Air blast ejector pusher	further separating systems on request as a project
<b>Reject bins</b>	Stainless steel Dimensions (L x D x H)  Reject bin full control Reject confirmation Lock for reject bin door Reject bin door status	150   200   300   400 x 300 x 750, opening 200 mm 250   350   500 x 310   410 x 750, opening 250 mm light barrier 1 light barrier or 4 light barriers available as bar or lock the system will stop after a set time when the reject bin door keeps opened
<b>Log strip printer</b>	Mounted on the switching cabinet	including LINE_PRINTER license and serial interface
<b>Emergency stop</b>	Emergency stop with belt shutdown  Emergency stop with pneumatic & belt shutdown	mounted to main column, turns off belt drives  turns off pneumatic system and conveyors
<b>Signal lamps</b>	2-colored 3-colored	red = fault, green = device okay red = fault, yellow = stop, green = belts running
<b>Emergency operation function</b>	The conveyor belts of the checkweigher can be started manually, even if the operating and control unit have failed.	To secure the production flow, the belts run (without weighing function). Operation via extra module in the switching cabinet with adjustable belt speeds.
<b>Tendency control kit</b>	incl. license Tendency Control and relays	
<b>Line integration kit</b>	Standard: 3 outputs via relays and 1 input	
<b>Package flow control</b>	with 1 light barrier	
<b>Draft shield</b>	Top	reduces disturbing influences by airflow
<b>Guide rails</b>	Available for all lengths of belts	
<b>Belt transition</b>	Available for all widths of belts	closes gaps between belt bodies
<b>Compressed air monitoring</b>	The system will stop at drop in air pressure	
<b>Software licenses</b>	BRIDGE+MC_BUFFER EICHFÄHIG_X1 ETHERNET ONLINE SOFTCONTROL TENDENCY CONTROL LINE_PRINTER	for buffering data in the event of LAN / pc failure according to OIML R 87, incl. conformity evaluation ethernet connection via TCP / IP communication via the Gx-Net via ETHERNET to operate from a second workplace for the regulation of filling machine (without relay) is required for external printer

## Infographic



## Symbols



400  
PPM  
400  
packages/  
minute



Protection  
class IP65



Unicode



e  
(metrological  
approved)



Stainless  
Steel

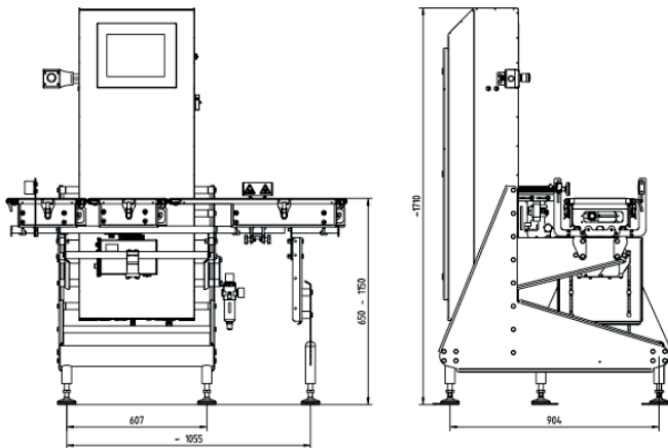


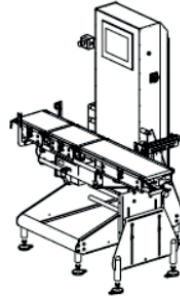
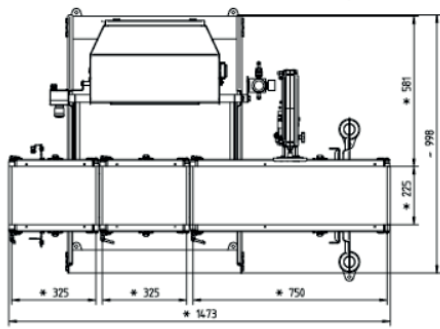
EMFR



Hygienic  
Design

## Dimensions





---

**Bizerba SE & Co. KG**  
Wilhelm-Kraut-Straße 65  
72336 Balingen Germany  
T +49 7433 12-0  
F +49 7433 12-2696  
marketing@bizerba.com

**[www.bizerba.com](http://www.bizerba.com)**