

Weighing Solution



REDUCTION OF
GIVEAWAY TO
LESS THAN 1%

MHP1300

MULTIHEAD PROCESSING SYSTEM

- ✓ Profit maximization
- ✓ ROI within 3-12 months
- ✓ Robust and hygiene-conform construction in stainless steel



VEGETABLES
& FRUITS



MEAT

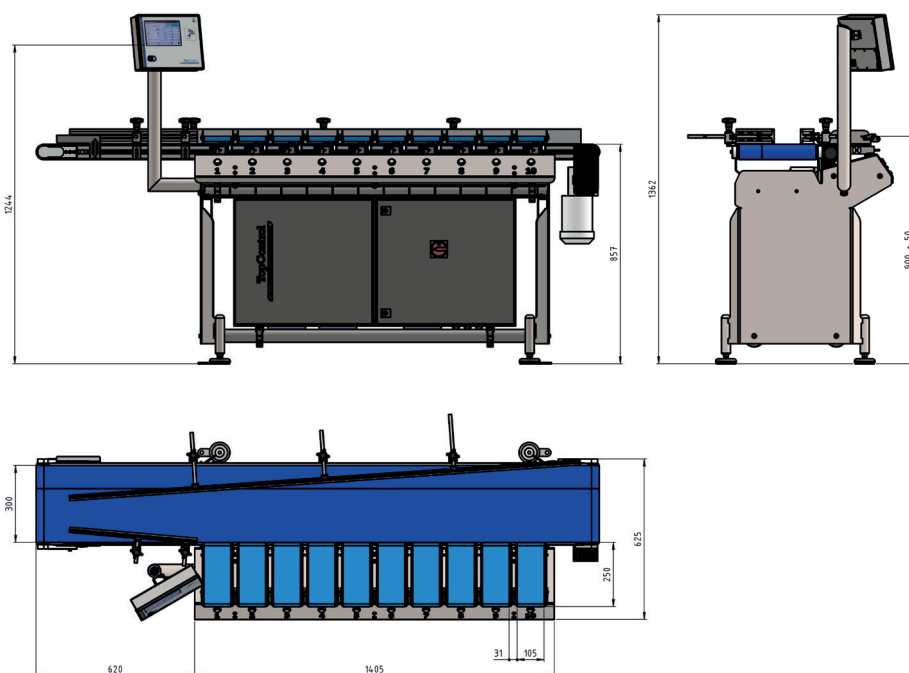


CHEESE



MHP1300 MULTIHEAD PROCESSING SYSTEM

The multihead processing system MHP1300 determines the optimal combination to achieve a defined target weight and transfer it automatically. The MHP1300 is manually loaded by a worker and is used for automatic weight optimization on the basis of single fruits, vegetables, meat and cheese. The MHP1300 offers a significant increase in efficiency in the packaging process. The optimal combination of the products reduces the giveaway to a minimum while the packaging speed is improved with minimal personnel deployment. This noticeably reduces costs and increases profits. Connected with the TopControl software StatisticsWeights all weights and staff times are completely recorded, for efficient evaluation and reporting.



HIGHLIGHTS

- Reduction of giveaway to less than 1%
- Profit maximization
- ROI within 3-12 months
- Robust and hygienic design in stainless steel
- Protection grade IP65
- Transport belt for automatic or manual transfer of the combined product to the following station
- Intuitive touch display
- Efficient staff time recording with integrated RFID reader
- Optimal integration in the TopControl software StatisticsWeights for data registration and analysis

OPTION

- Ergonomic storage for boxes or infeed belt
- Stand-alone without software

TECHNICAL DETAILS

- Multihead processing system with 10 scales
- Weighing range/division: 3 kg/1 g
- Operating mode: combination/mixed products
- Transport direction: right/left or left/right
- Colour LCD touch display 7 inches
- Interfaces: Ethernet 10 Base T, TCP/IP, RS 232, RS 422
- Protection: IP65
- Frame: compact and modular structure in stainless steel